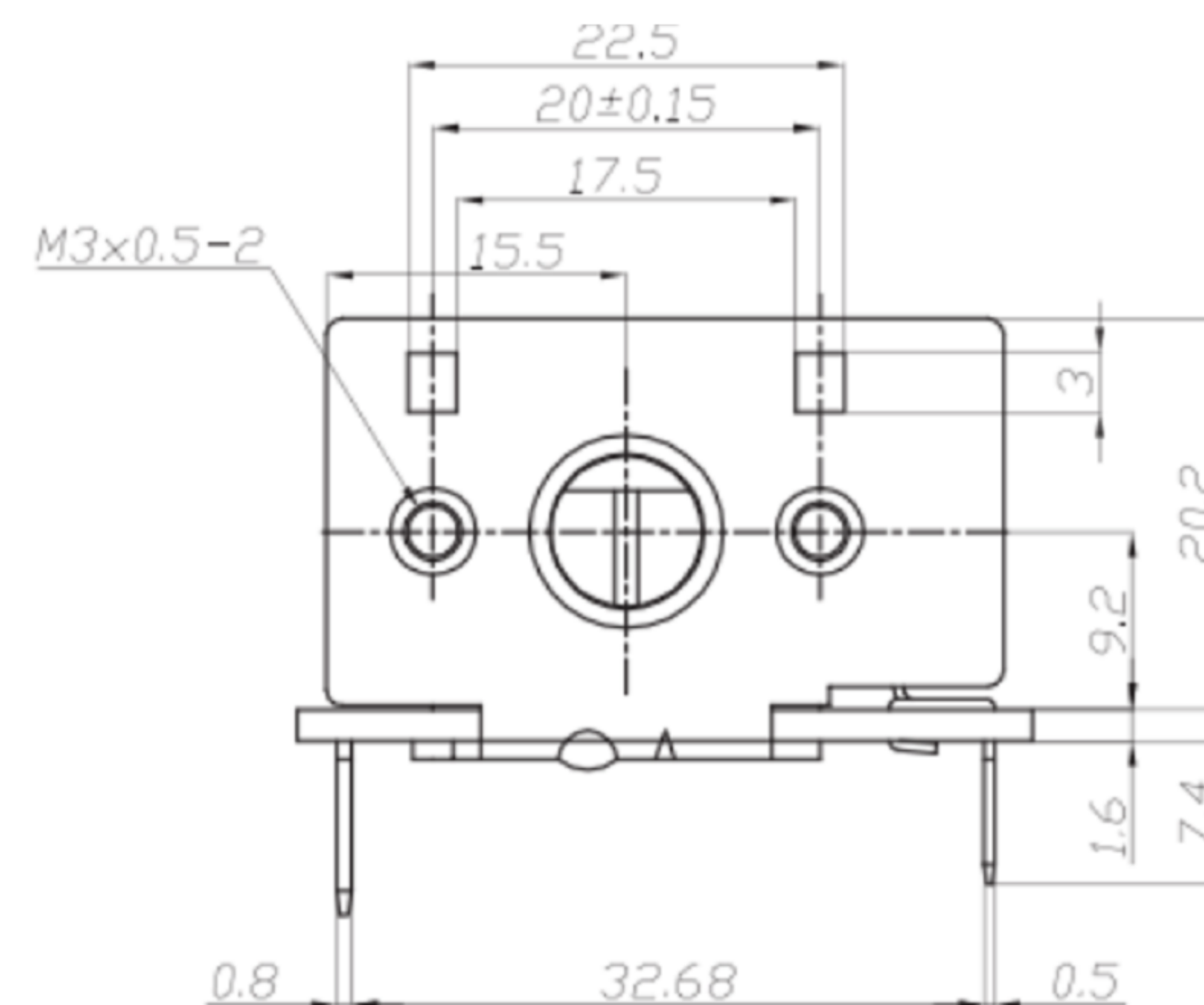
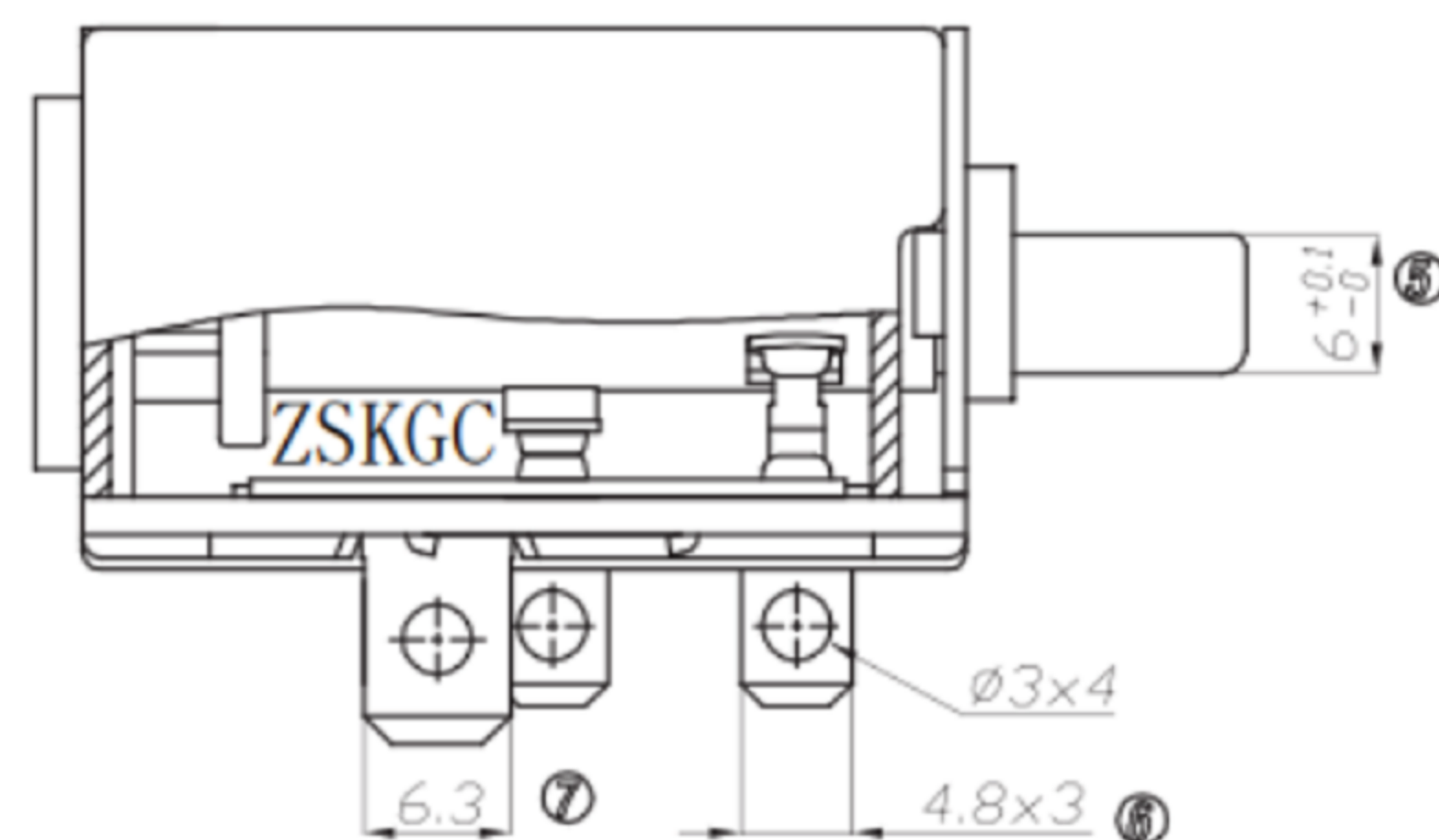


**SPECIFICATION 規格:**

**Rating 額定:**

- 16A 125VAC (CQC)
- 12A 250VAC (CQC)



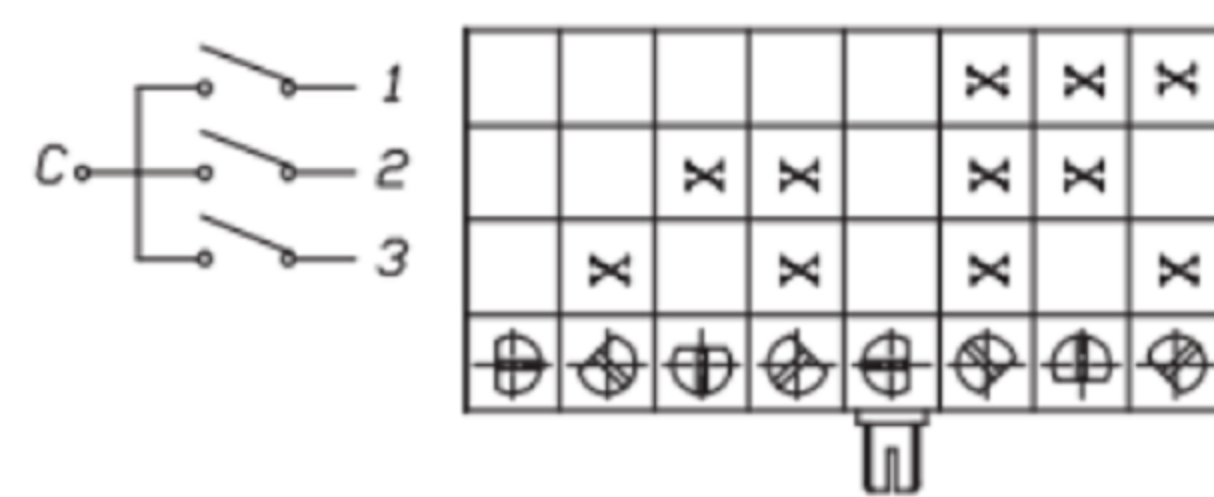
**Electrical (電氣性能)**

- (接觸電阻) INITIAL CONTACT RESISTANCE: 50mΩ Max
- (操作力量) OPERATION FORCE: 750-1500gf
- (絕緣電阻) INSULATION RESISTANCE: 100MΩ Min 500VDC
- (耐電壓) WITHSTAND VOLTAGE: 1500VAC FOR 1 MINUTE
- (電氣壽命) ENDURANCE: 10,000 CYCLES

**Material (材質)**

- (柄) ACTUATOR: PA66+30%GF/PBT+30%GF (UL 94V-0)
- (電木板) BASE: PHENOLIC LAMINATE (UL 94V-0)
- (鐵殼) BRACKET: SPCC ZINC PLATED
- (端子) TERMINAL: COPPER ALLOY
- (接點) CONTACT: SILVER ALLOY

**1 POLE 8 POSITIONS  
FUNCTION 1**



**東莞市高迪電子有限公司**  
DONG GUAN GAO DI ELECTRONICS CO., LTD

TOLERANCE UNLESS OTHERWISE STATED:  
Up to 5 ±0.2  
Above 5 ~ 15 ±0.3  
Above 15 ~ 30 ±0.4  
Above 30 ~ 50 ±0.5  
Angle ±0.3°

3RD. ANGEL'S

UNITS MM

DRAWN BY: Ming Ming Zou	DATE 10/31/13	MAT'L	TITLE SWITCH
CHECKED BY: Ning Ning Su	DATE 10/31/13	FINISH	MODLE MICRO SWITCH
APPROVED BY: Jia Xiang	DATE 10/31/13	SCALE 1:1	DWG NO. GD-HR31-M84A-1PS
SHEET NO. 1 of 1		PART NO.	SIZE A4 VER R

ITEM NO.	DESCRIPTION	DRAWN	DATE
----------	-------------	-------	------